



Polar

Owner's Manual

INTRODUCTION	3
SPECIFICATIONS	4
CONTROL PANEL / REMOTE	5
UNIT DIAGRAMS	6
UNIT SETUP & OPERATION	7
MAINTAINING THE UNIT	8
SAFETY INFO / WARNINGS	10
WARRANTY INFORMATION	11

INTRODUCTION

Welcome to a more comfortable, efficient way of heating your living spaces during cold weather!

ThermaWave Polar is the most complete and advanced space heating system on the market. It heats using a cutting-edge PTC (Positive Thermal Coefficient) element that heats the air efficiently without drying it out. It purifies your air with PCO technology that features a high power germicidal UVC bulb. This bulb, in conjunction with a catalyst, creates a purifying plasma that reduces mold, bacteria, and viruses (even on surfaces) so the months spent with doors and windows closed no longer means months spent in a stuffy indoor environment.

Polar is designed to provide years of trouble-free service when used and maintained according to this Owner's Manual. The pages of this manual will guide you through proper operation, cleaning the filter, and replacing the PCO Cell as necessary.

Thank you for purchasing ThermaWave Polar by GreenTech Environmental.

FEATURES

PTC Infrared Heating Element

PCO Air Purification Technology

LCD Display

Unit Control Panel

Control Remote

Quiet Mode

Overheat Safety Shut Off

Tip-Over Safety Shut Off

BENEFITS

Clean, Economical, and Safe Heating

Even Distribution of Heat from Floor to Ceiling

Does not Burn or Dry Out Air

Low Operating & Maintenance Cost

Efficient PCO Purification for Pure, Clean, Heated Air

RECORDS

Purchase Date: _____

Model Number: _____

Serial Number: _____

Distributor Name: _____

Distributor Phone: _____



SPECIFICATIONS

Voltage:120V ~60Hz

Power:up to 1500 watts

Heat Output:5200BTU

Remote Battery: CR2025

Temperature Control Range: 60 - 90 Degrees Fahrenheit

Heating Element: Infrared Positive Thermal Coefficient (PTC) Element

Air Filter:Lifetime Washable

Air Purifier: Photo Catalytic Oxidation (PCO) Cell

Display: LCD

Coverage:Up to 1000 ft²

Dimensions: 13.25" x 15.5" x 17.25" (WxDxH)

Weight:26.6 lbs

Certifications: ETL Canada & US by Intertek

Warranty: 3 Year Factory Limited



WARNINGS



WARNING: DO NOT COVER THE HOT AIR OUTLET



WARNING: KEEP THE UNIT AWAY FROM FABRIC OR OTHER FLAMMABLE MATERIAL. GIVE THE UNIT 3 FT OF SPACE TO THE FRONT AND AT LEAST 1 FT OF SPACE TO THE SIDES AND REAR.

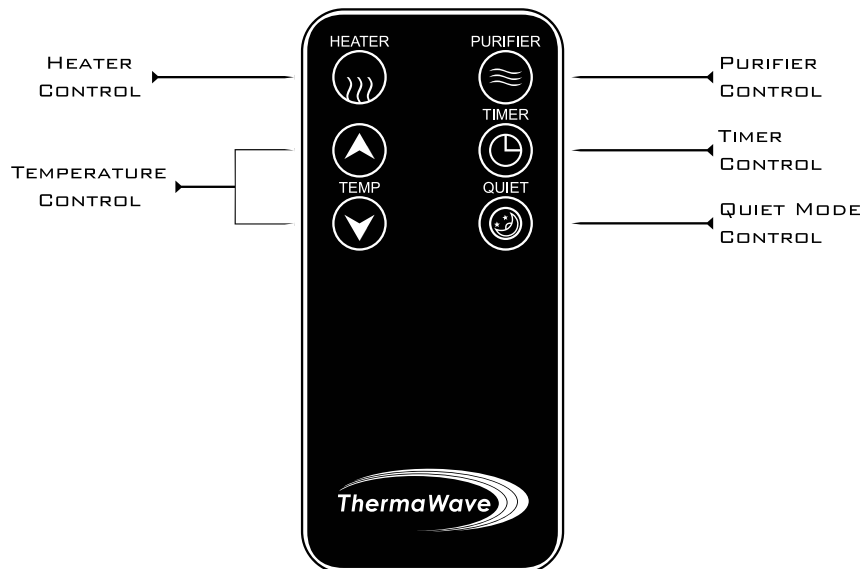
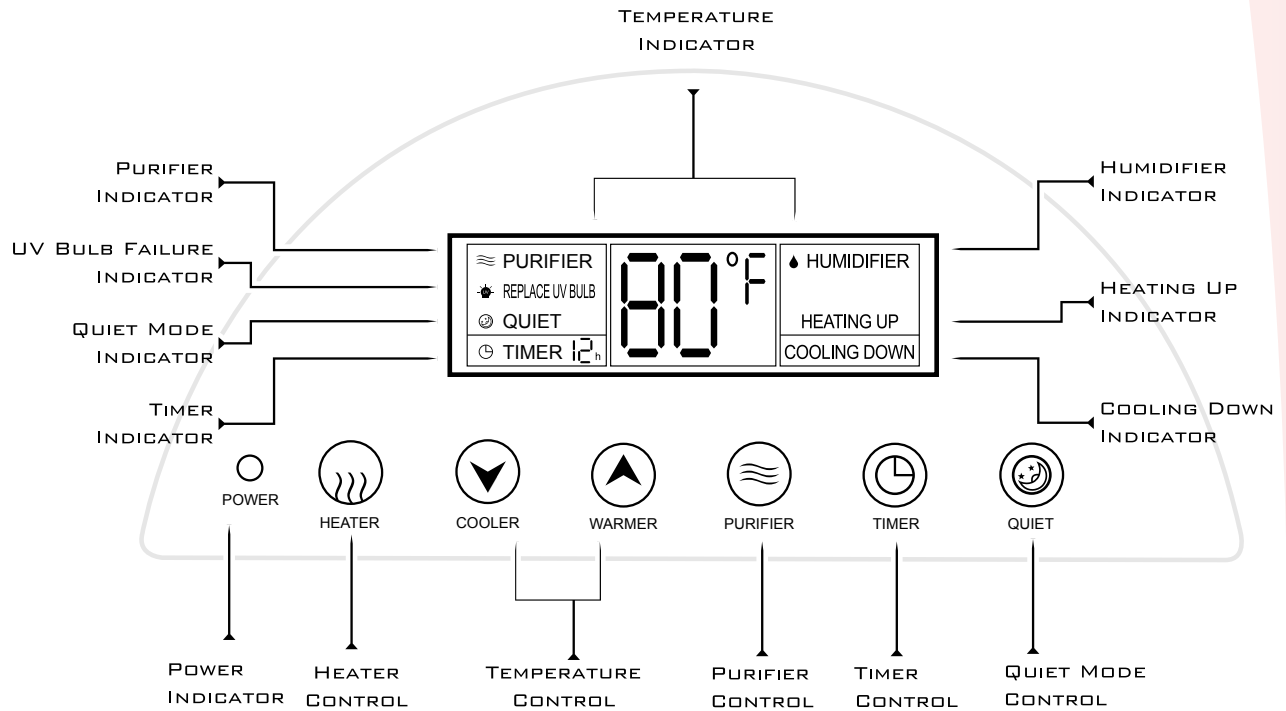


CAUTION: ATTEMPTING TO SERVICE THE UNIT BEYOND CLEANING THE FILTER OR CHANGING THE PCO CELL CREATES DANGER OF ELECTRIC SHOCK.

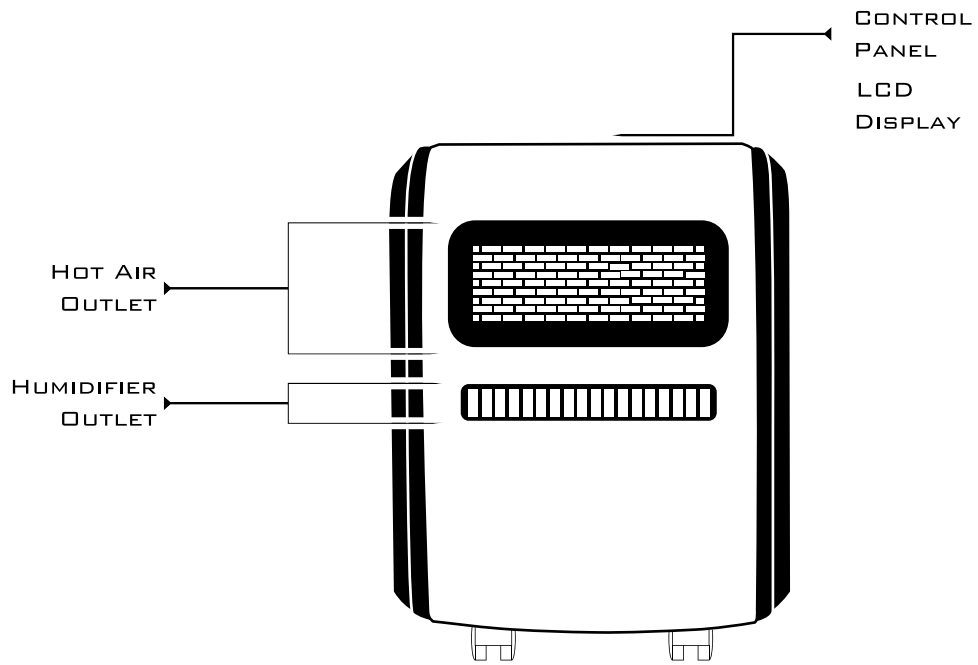


CAUTION: DISCONNECT THE POWER CORD BEFORE CLEANING THE FILTER OR CHANGING THE PCO CELL.

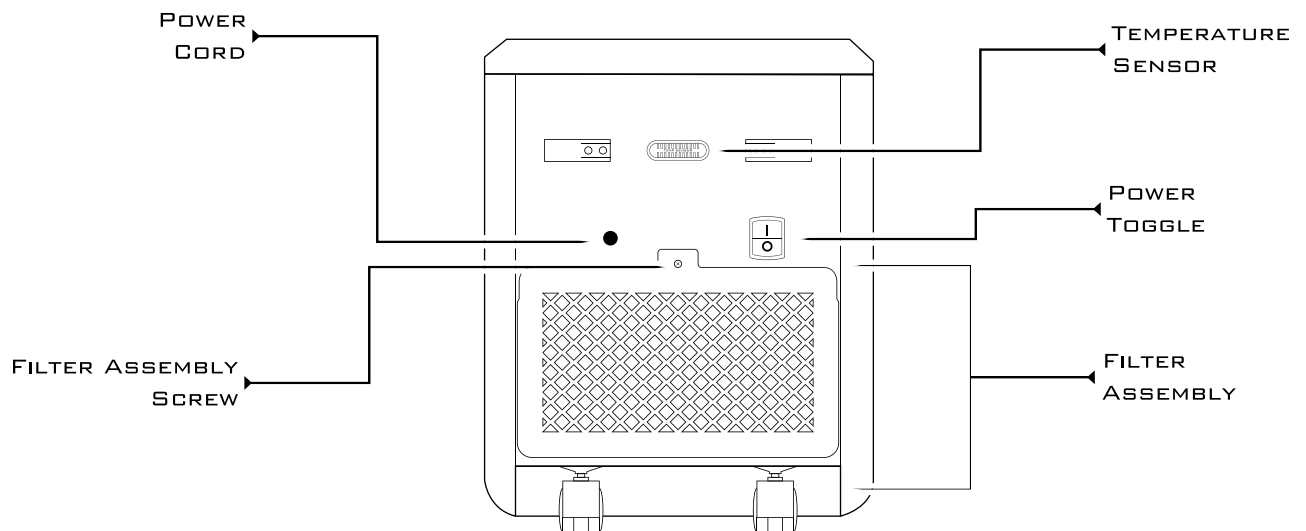
CONTROL PANEL & REMOTE CONTROL DIAGRAMS



UNIT FRONT DIAGRAM



UNIT REAR DIAGRAM



SETTING UP THE UNIT

1. Unpack the unit by cutting open taped areas. Fold back box flaps and gently turn entire box upside down. Lift box off of styrofoam packed contents. Remove styrofoam, turn upright. We recommend keeping packing materials for future transport or storage of unit.
2. Find a level and unobstructed location to place heater away from cold walls (outside walls).
3. Plug the POWER CORD into a grounded outlet (120V, 15A or higher).
4. Activate the REMOTE by removing the plastic shipping guard from the battery compartment.

OPERATING THE UNIT

TURNING THE UNIT ON/OFF

- Turn the unit on by pressing the “I” on the POWER TOGGLE (Unit Rear).
- Turn the unit off by pressing the “O” on the POWER TOGGLE (Unit Rear).
- Always unplug the unit when not in use.

HEATER MODE

- Press the HEATER CONTROL button to activate the Heater Mode. (This will also automatically activate Purifier Mode. To toggle Purifier Mode on or off, press the PURIFIER CONTROL button.) Set the desired temperature using the TEMPERATURE CONTROL buttons. You may select a temperature from 60 to 90 degrees Fahrenheit.

PURIFIER MODE

- Toggle the Purifier Mode on or off at any time that the unit is turned on by pressing the PURIFIER CONTROL button.

TIMER FUNCTION

- Set the TIMER FUNCTION by pressing the TIMER CONTROL button to activate it.
- Press the TIMER CONTROL button once for each additional hour desired (1 - 12 hours).
- If you press the TIMER CONTROL button again once the TIMER INDICATOR on the LCD DISPLAY reads “12h” the TIMER FUNCTION will be deactivated.
- If the Heater & Purifier Modes are active and you set the timer, it will turn both modes off after the designated time has elapsed.
- If either the Heater or Purifier Modes are independently active and you set the timer, it will turn the active mode off after the designated time has elapsed.
- If neither the Heater or Purifier Modes are active (nothing is active) and you set the timer, it will turn ON both the Heater and Purifier Modes after the designated time has elapsed.



QUIET FUNCTION

- If you feel the unit is too loud for your environment, such as when you are sleeping, press the QUIET MODE CONTROL button. The unit continues to heat and purify according to active modes, but the fan runs on the most silent speed.

MAINTAINING THE UNIT

FILLING THE HUMIDIFIER

1. Open the HUMIDIFIER TANK CHAMBER (Open the door on the right side of the unit).
2. Slide the HUMIDIFIER TRAY out and remove the HUMIDIFIER WATER BOTTLE.
3. Fill the HUMIDIFIER WATER BOTTLE with tap water and replace in HUMIDIFIER TRAY. Once the water has filled the tray, refill the HUMIDIFIER WATER BOTTLE a second time. replace the HUMIDIFIER WATER BOTTLE in the HUMIDIFIER TRAY.
4. Slide the HUMIDIFIER TRAY back into the HUMIDIFIER TANK CHAMBER
5. Close the HUMIDIFIER TANK CHAMBER

Whenever water is present in the HUMIDIFIER TRAY, diverted warm air will wick the moisture and the result will be a more comfortable heat. If the HUMIDIFIER TRAY is empty, it will not damage the unit but you will not enjoy the benefits of the humidification feature. Check your HUMIDIFIER TRAY daily using the window in the HUMIDIFIER TANK CHAMBER DOOR.

CLEANING THE FILTER

The filter should be cleaned every 30 days or more often if you find that the filter is collecting visible particulate.

1. Unplug the POWER CORD from the outlet.
2. Remove the FILTER ASSEMBLY SCREW using a screwdriver. Place the screw aside where you will not misplace it.
3. Allow the FILTER ASSEMBLY to lean away from the rear of the unit until it is free to be removed.
4. Remove the FILTER from the FILTER ASSEMBLY by using a flat blade screwdriver to release the four tabs of the FILTER COVER and then carefully lifting the FILTER from the FILTER ASSEMBLY.
5. Use a vacuum cleaner to remove built up particulate from the FILTER. Optionally, you can also clean the FILTER using warm soapy water. If you opt to using water, ensure that the FILTER dries completely before continuing.
6. Carefully replace the FILTER in the FILTER ASSEMBLY. Replace the FILTER COVER onto FILTER ASSEMBLY and ensure all 4 tabs are in place.
7. Set the tabs of the FILTER ASSEMBLY in their place on the rear of the unit and pivot upwards until it is properly seated.
8. Replace the FILTER ASSEMBLY SCREW using a screwdriver. Tighten until snug.
9. Plug the POWER CORD back into the outlet.

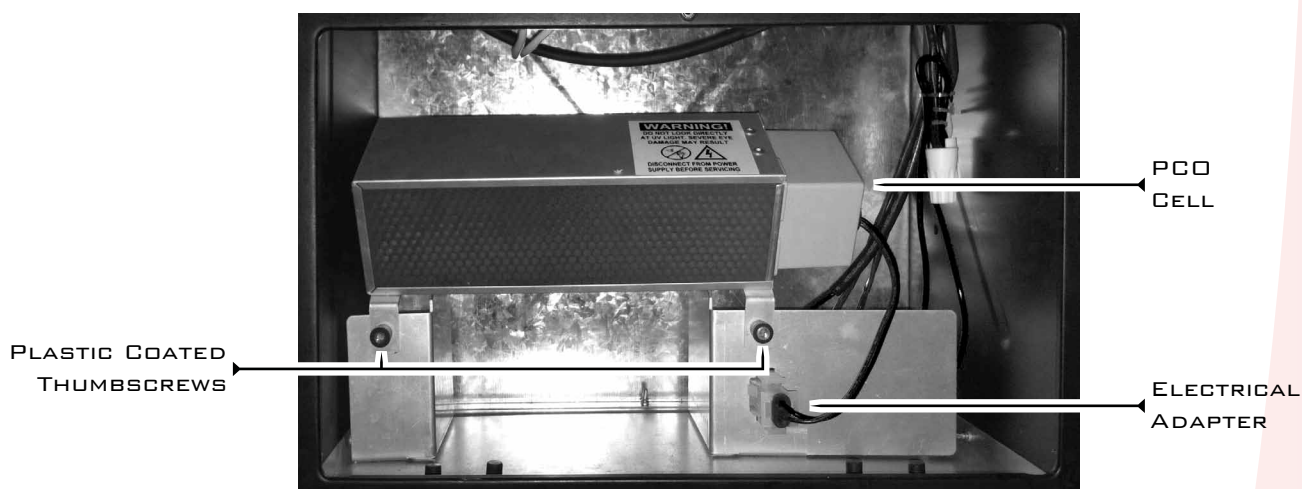
CLEANING THE UNIT

1. Unplug the POWER CORD from the outlet.
2. Carefully wipe the exterior of the unit with a soft, damp (not wet) cloth and dry thoroughly with a soft, dry cloth. Do not use harsh or abrasive cleaners as these may damage the aesthetic finish of the unit.
3. Remove particulate that may have gathered in the HOT AIR OUTLET using a vacuum with a brush attachment.

REPLACING THE PCO CELL

After some time the “Replace UV BULB” indicator may appear on your LCD SCREEN. This indicates that you need to replace your PCO Cell. You may purchase a replacement PCO Cell through your GreenTech Environmental Authorized Distributor. If your distributor is not available, please visit www.GreenTechEnv.com to contact us regarding ordering a PCO Cell directly.

1. Remove the FILTER ASSEMBLY by following steps 1 through 3 of “Cleaning the Filter”.
2. Unplug the old PCO Cell by disengaging the electrical adapter in the lower right hand region of the rear of the unit.
3. Unscrew the Thumbscrews and slide the old PCO Cell straight out of the rear of the unit.
4. Slide the new PCO Cell straight into its place in the rear of the unit and replace Thumbscrews.
5. Connect the new PCO Cell by plugging in the electrical adapter to it’s socket.
6. Replace the FILTER ASSEMBLY by following steps 7 through 9 of “Cleaning the Filter”.



SAFETY INFO & WARNINGS



1. Do not operate the heater if any cord or part of the machine is damaged or has malfunctioned. Return heater for examination and repair if damage has occurred.



2. Do not plug heater into anything other than a 3-prong 110V 15amp or higher grounded circuit receptacle.



3. Do not use an extension cord to power this heater.



4. Do not block the front grill or rear filter of the heater. Be sure that there is adequate space around the heater for air flow.



5. Keep heater away from areas which may have standing water. The heater is not made for use in bathrooms, laundry areas or areas with similar attributes.



6. Do not insert any foreign objects into the vent as this may cause an electric shock or damage the heater itself.



7. Do not change the heater's wiring or design as it will void the warranty and could cause injury.



8. Always unplug heater when not in use.



9. Turn heater off before removing plug from outlet.



10. Do not place cord under any kind of covering such as carpet, rugs or similar articles. Place cord away from high traffic areas to keep from injuring a person or causing damage to the cord or heater.



11. Heater is intended for indoor use only, do not use outdoors.



12. The filter must be cleaned regularly to avoid clogging and possible malfunction of the heater. If the heater is used in high-traffic areas the filter must be cleaned more often.



13. Air dry the filter, do not use any other method to expedite the process as it could damage the filter.

CONSUMER INFORMATION

GreenTech Environmental declines responsibility for all damages arising from improper use of the unit or in case of tampering with the unit.

WARRANTY INFORMATION

LIMITED WARRANTY INFORMATION

Your ThermaWave Polar (Product) is warranted to be free from all defects in material and workmanship in normal household use for a period of (3) Years from date of purchase. The warranty is granted only to the original purchaser. The warranty is subject to the following provisions:

Any damages or malfunctions caused by negligence, abuse, or use not in accordance with the Product Owner's Manual are not covered by this warranty. Likewise, any defects or damages caused by unauthorized service or the use of other than Genuine GreenTech Environmental Parts are not covered.

GreenTech Environmental, LLC will, at its option, repair or replace a defective Product or part(s) for the Product that is/are covered by this warranty. As a matter of warranty policy, GreenTech Environmental, LLC will not refund the customer's purchase price.

LIMITED LIFETIME WARRANTY ON TRIPLE HEATING ELEMENT

The heating element in the Product is warranted for the lifetime of the original purchaser. If the heating element fails after the standard warranty terms have expired, the purchaser should return the unit to a GreenTech Environmental Service Center for repair or replacement.

OBTAINING WARRANTY SERVICE

To obtain warranty service you must return the defective product along with proof of purchase to the GreenTech Environmental Authorized Service Center. All shipping costs submitted under this Warranty shall be borne by purchaser. Unless this Warranty is expressly renewed or extended by GreenTech Environmental, LLC, any repaired or replaced part of unit shall be warranted to the original purchaser only for the length of the unexpired portion of the original warranty. For the location of the nearest GreenTech Environmental Authorized Service Center or for other service information, please visit us online at: www.GreenTechEnv.com/service

Before any product is sent for service, the customer should contact the GreenTech Environmental Service Center to obtain a Return Merchandise Authorization (RMA) Number. This RMA Number should be clearly written on the box before shipping. All components/parts including the remote (if applicable), manuals, and original packaging should be included in the return if available.

FURTHER LIMITATIONS AND EXCLUSIONS ARE AS FOLLOWS

Any warranty that may be implied in connection with your purchase or use of the Product, including any warranty of merchantability or any warranty for Fitness For A Particular Purpose is limited to the duration of this warranty. Some states do not allow limitations on how long an implied warranty lasts, so the above limitations may not apply to you.

Your relief for the breach of this warranty is limited to the relief expressly provided above. In no event shall GreenTech Environmental, LLC be liable for any consequential or incidental damages you may incur in connection with your purchase or use of the Product. Some states do not allow the exclusion or limitation of incidental or consequential damages, so the above limitation or exclusion may not apply to you.

This Warranty gives you specific legal rights, and you may also have other rights which vary from state to state.

REGISTRATION

Please register your Product within 10 days of purchase by visiting www.GreenTechEnv.com/warranty or fill out and return the enclosed warranty registration card. Registering your new GreenTech product entitles you to the most up-to-date GreenTech warranty and promotion information.

